



Workstation

PREP & STORAGE CART

CARRITO DE ALMACENAMIENTO Y PREPARACIÓN

MODEL NUMBER
NÚMERO DE MODELO

23252168

ASSEMBLY GUIDE
GUIA DE MONTAJE

SERIAL NUMBER:
NÚMERO DE SERIE:

See logo plate on cart for serial number.
Consulte la placa con el logotipo en el carrito para
obtener el número de serie.

DATE PURCHASED:
FECHA DE COMPRA:





Tools Needed for Assembly:

Phillips Screwdriver - not provided
Caster Wrench - provided



Herramientas necesarias para el armado:

Destornillador Phillips - no incluido
Llave para ruedas - provista

BEFORE YOU BEGIN



Scan for easy 3D instructions
Download the BILT app before you begin

ANTES DE QUE EMPIECES



Escanear para fácil instrucciones 3D.
Descarga la aplicación BILT antes de comenzar

Need Help? Visit Oklahomajoes.com for video assembly tips. If you'd rather - you can call us at 1-800-318-7744
Necesita ayuda? Visite Oklahomajoes.com para obtener consejos sobre el montaje de videos. Si prefiere, puede llamarnos al 1-800-318-7744

IMPORTANT SAFETY INFORMATION

THIS INSTRUCTION MANUAL CONTAINS IMPORTANT INFORMATION NECESSARY FOR THE PROPER ASSEMBLY AND SAFE USE OF THE CART.

FOLLOW ALL WARNINGS AND INSTRUCTIONS WHEN USING THE CART.

INSTALLER/ASSEMBLER:

LEAVE THIS MANUAL WITH CONSUMER.

CONSUMER:

KEEP THIS MANUAL FOR FUTURE REFERENCE.

SAFETY SYMBOLS

DANGER, WARNING, and **CAUTION** statements are used throughout this Owner's Manual to emphasize critical and important information. Read and follow these statements to help ensure safety and prevent property damage. The statements are defined below.



CAUTION

CAUTION: Indicates a potentially hazardous situation or unsafe practice which, if not avoided, may result in minor or moderate injury.



WARNING

WARNING: Indicates a potentially hazardous situation which, if not avoided, could result in death or serious injury.



DANGER

DANGER: Indicates an imminently hazardous situation which, if not avoided, will result in death or serious injury.



WARNING

FAILURE TO READ AND FOLLOW INSTRUCTIONS FOR ASSEMBLY MAY RESULT IN SERIOUS PERSONAL INJURY AND OR PROPERTY DAMAGE. Please read this entire manual before installation and use of this cart. Failure to follow these instructions could result in property damage or bodily injury. Consumption of alcohol or drugs will impair the consumers ability to properly assemble and operate this cart.

SAVE THESE INSTRUCTIONS.

- Always wear protective clothing to prevent injury.
- Keep children and pets away.
- **DO NOT** use your cart for any purpose other than its design intent.
- **DO NOT** use your cart to transport hot food or hot liquids.
- **DO NOT** exceed max load of 100 lbs. (45 kg) on countertop and 30 lbs. (13.6 kg) on shelf* for models with added shelf.



CAUTION

CAUTION: Every effort has been made to eliminate sharp edges. However, some parts may contain sharp edges! For your protection, we recommend that you wear protective gloves during assembly and while operating the cart.

THIS UNIT IS HEAVY! DO NOT attempt to assemble without a helper.

This cart is not intended for use by persons (including children) with reduced physical, sensory, or mental capabilities, or lack of experience and knowledge, unless they have been given supervision or instruction concerning use of the cart by a person responsible for their safety.

- Children should be supervised to ensure they do not play with the cart.
- Parts of the cart may become hot, and serious injury may occur.
- Keep young children and pets away while in use.

FOOD SAFETY

Food safety is a very important part of enjoying the outdoor cooking experience. To keep food safe from harmful bacteria, follow these four basic steps:

- 1.Clean:** Wash hands, utensils, and surfaces with hot soapy water before and after handling raw meat.
- 2.Separate:** Separate raw meats from ready-to-eat foods to avoid cross contamination. Use a clean platter and utensils when removing cooked foods.
- 3.Cook:** Cook meat and poultry thoroughly to kill bacteria. Use a thermometer to ensure proper internal food temperatures.
- 4.Chill:** Refrigerate prepared foods and leftovers promptly.

CLEANING

Sanitization is a vital step in the cleaning process for any commercial foodservice equipment—especially prep tables. Since prep tables and their cutting boards are used to prepare raw and fresh foods, keeping them sanitary prevents dangerous cross contamination and preserves the integrity of the food products.

- 1.Clean your cart before and after each use.
- 2.Use a clean microfiber cloth and mild dishwashing liquid on exterior surfaces. Be sure to remove any soap residue from your cart, especially the top surface.
- 3.Wipe the top surface down frequently to prevent cross contamination between food.
- 4.**DO NOT** use abrasive items such as steel wool, meat scrapers, or wire brushes to clean your cart.
- 5.Be sure to dry any remaining moisture from your cart before storing it.

INFORMACIÓN DE SEGURIDAD IMPORTANTE

ESTE MANUAL DE INSTRUCCIONES CONTIENE IMPORTANTE INFORMACIÓN NECESARIA PARA EL CORRECTO ENSAMBLAJE Y USO SEGURO DEL CARRO.

SIGA TODAS LAS ADVERTENCIAS E INSTRUCCIONES CUANDO UTILICE EL CARRO.

INSTALADOR/ENSAMBLADOR:
DEJE ESTE MANUAL AL CLIENTE.

CONSUMIDOR:
CONSERVE ESTE MANUAL PARA FUTURAS CONSULTAS.

SÍMBOLOS DE SEGURIDAD

Las declaraciones de PELIGRO, ADVERTENCIA y PRECAUCIÓN se utilizan a lo largo de este Manual del Propietario para enfatizar información crítica e importante. Lea y siga estas declaraciones para ayudar a garantizar la seguridad y evitar daños a la propiedad. Las declaraciones se definen a continuación.



PRECAUCIÓN

PRECAUCIÓN: Indica una situación potencialmente peligrosa o una práctica insegura que, si no se evita, puede dar lugar a sufrir lesiones leves o moderadas.



ADVERTENCIA

ADVERTENCIA: Indica una situación potencial de riesgo que, si no se evita, puede dar lugar a la muerte o a sufrir lesiones graves.



PELIGRO

PELIGRO: Indica una situación de riesgo inminente que, si no se evita, dará lugar a la muerte o a sufrir lesiones graves.



ADVERTENCIA

EL NO LEER NI SEGUIR LAS INSTRUCCIONES PARA EL MONTAJE PUEDE RESULTAR EN LESIONES PERSONALES GRAVES O DAÑOS A LA PROPIEDAD.

Lea este manual completo antes de instalar y usar este carro. El incumplimiento de estas instrucciones podría resultar en daños a la propiedad o lesiones corporales. El consumo de alcohol o drogas afectará la capacidad de los consumidores para ensamblar y operar correctamente este carro.

GUARDA ESTAS INSTRUCCIONES.

- Siempre use ropa protectora para evitar lesiones.
- Mantenga a los niños y las mascotas alejados.
- **NO** use su carrito para ningún otro propósito que no sea su intención de diseño.
- **NO** utilice su carrito para transportar alimentos o líquidos calientes.
- **NO** exceda la carga máxima de 100 libras. (45 kg) sobre encimera y 30 lbs. (13,6 kg) en el estante para modelos con estante adicional.



PRECAUCIÓN

PRECAUCIÓN: Se ha hecho todo lo posible para eliminar los bordes afilados. ¡Sin embargo, algunas piezas pueden contener bordes afilados! Para su protección, le recomendamos que use guantes protectores durante el montaje y el funcionamiento del carro.

¡ESTA UNIDAD ES PESADA! NO intente ensamblar sin un ayudante.

SE REQUIERE un ayudante para el montaje de este carro.

Este electrodoméstico no está diseñado para que lo usen personas (incluidos los niños) con capacidades físicas, sensoriales o mentales reducidas, o falta de experiencia y conocimiento, a menos que una persona responsable de su seguridad les haya supervisado o instruido sobre el uso del electrodoméstico.

- Los niños deben ser supervisados para asegurarse de que no jueguen con el carro.
- Las piezas del carro pueden estar muy calientes y pueden producirse lesiones graves.
- Mantenga alejados a los niños pequeños y las mascotas mientras está en uso.

SEGURIDAD ALIMENTICIA

La seguridad alimentaria es una parte muy importante para disfrutar de la experiencia de cocinar al aire libre. Para mantener los alimentos a salvo de bacterias dañinas, siga estos cuatro pasos básicos:

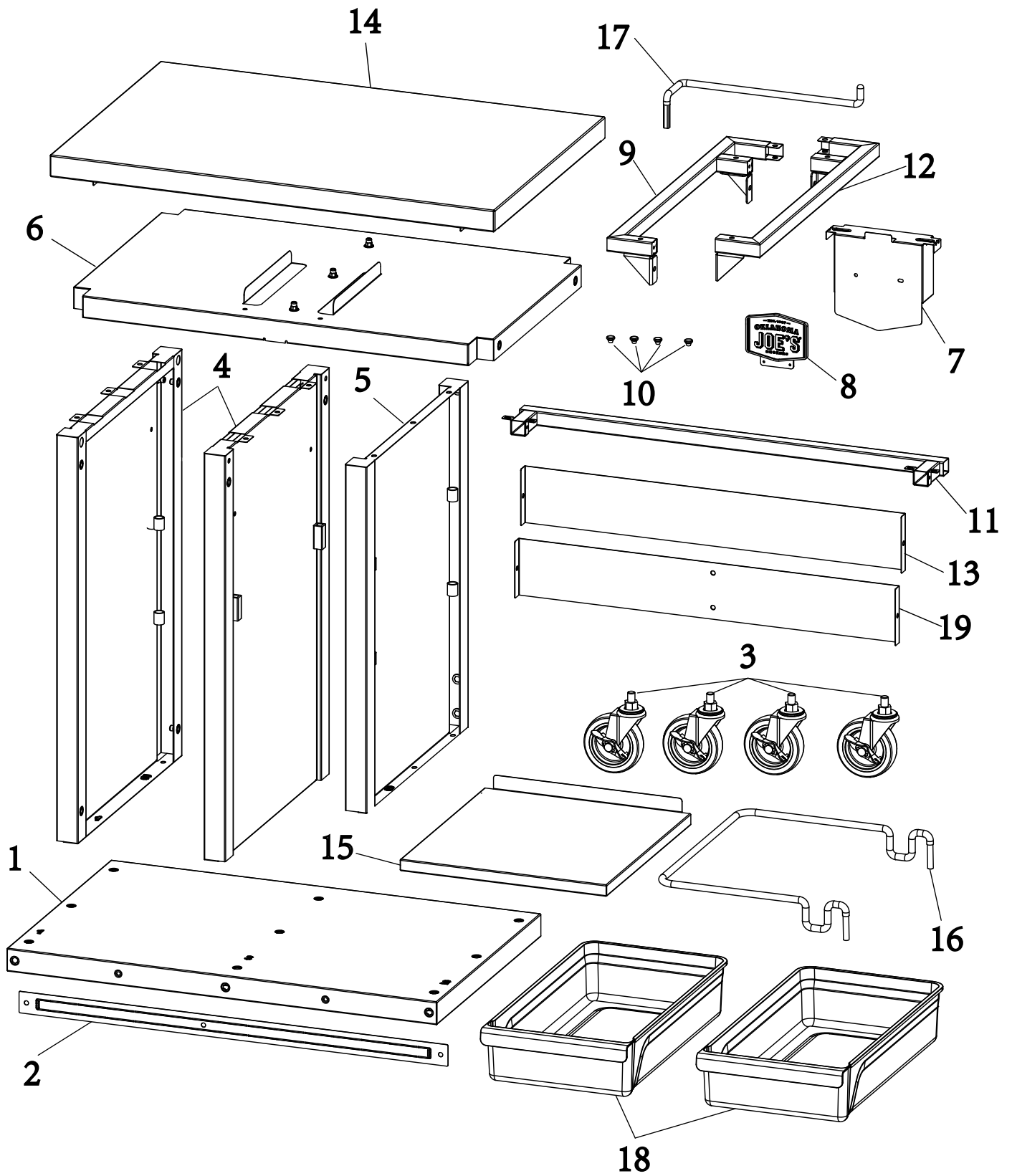
- 1. Limpiar:** Lávese las manos, los utensilios y las superficies con agua caliente y jabón antes y después de manipular carne cruda.
- 2. Separe:** separe las carnes crudas de los alimentos listos para comer para evitar la contaminación cruzada. Use un plato y utensilios limpios cuando retire los alimentos cocidos.
- 3. Cocine:** cocine bien la carne y las aves para matar las bacterias. Use un termómetro para garantizar la temperatura interna adecuada de los alimentos.
- 4. Refrigere:** Refrigere los alimentos preparados y las sobras de inmediato.

LIMPIEZA

La desinfección es un paso vital en el proceso de limpieza de cualquier equipo comercial de servicio de alimentos, especialmente las mesas de preparación. Dado que las mesas de preparación y sus tablas de cortar se utilizan para preparar alimentos crudos y frescos, mantenerlas higiénicas evita la peligrosa contaminación cruzada y preserva la integridad de los productos alimenticios.

1. Limpie su carrito antes y después de cada uso.
2. Use un paño de microfibra limpio y un líquido lavavajillas suave en las superficies exteriores. Asegúrese de eliminar cualquier residuo de jabón de su carrito, especialmente de la superficie de la punta.
3. Limpie la superficie superior con frecuencia para evitar la contaminación cruzada entre los alimentos.
4. **NO** use artículos abrasivos como lana de acero, raspadores de carne o cepillos de alambre para limpiar su carrito.
5. Asegúrese de secar la humedad restante de su carrito antes de guardarlo.

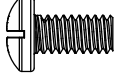
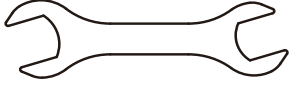
REPLACEMENT PARTS DIAGRAM • DIAGRAMA DE PIEZAS DE REPUESTO



REPLACEMENT PARTS LIST / LISTA DE PIEZAS DE REPUESTO

Key / Llave	Quantity / Cantidad	Description / Descripción
1	1	BOTTOM SHELF / ESTANTE INFERIOR
2	1	FASCIA, F/ BOTTOM SHELF / SALPICADERO, para ESTANTE INFERIOR
3	4	CASTER / CASTOR
4	2	SIDE CART PANEL / PANEL LATERAL DEL CARRO
5	1	MIDDLE CART PANEL / PANEL MEDIO DEL CARRO
6	1	DRAWER PANEL / PANEL DE CAJÓN
7	1	LOGO PLATE PANEL / PANEL DE PLACA CON LOGOTIPO
8	1	LOGO PLATE / PLACA CON LOGOTIPO
9	1	LEFT HAND RAIL / BARANDILLA IZQUIERDA
10	4	SEAL PLUG / TAPÓN DE SELLO
11	1	REAR HAND RAIL / BARANDILLA TRASERA
12	1	RIGHT HAND RAIL / BARANDILLA DERECHA
13	1	UPPER BACK CART PANEL / PANEL SUPERIOR TRASERO DEL CARRO
14	1	TOP PANEL / PANEL SUPERIOR
15	1	SHELF PANEL / PANEL DE ESTANTE
16	1	TRASH BAG HOLDER / SOPORTE PARA BOLSA DE BASURA
17	1	PAPER TOWEL HOLDER / SOPORTE PARA TOALLAS DE PAPEL
18	2	UTILITY DRAWER / CAJÓN DE UTILIDAD
19	1	LOWER BACK CART PANEL / PANEL TRASERO INFERIOR DEL CARRO
NOT Pictured / NO en la foto		
...	1	PRODUCT GUIDE, ENGLISH, SPANISH / GUIA DE PRODUCTOS, INGLES, ESPAÑOL
...	1	HARDWARE PACK / PAQUETE DE HERRAJES
...	1	CASTER WRENCH / LLAVE PARA RUEDAS

HARDWARE LIST / LISTA DE EQUIPOS

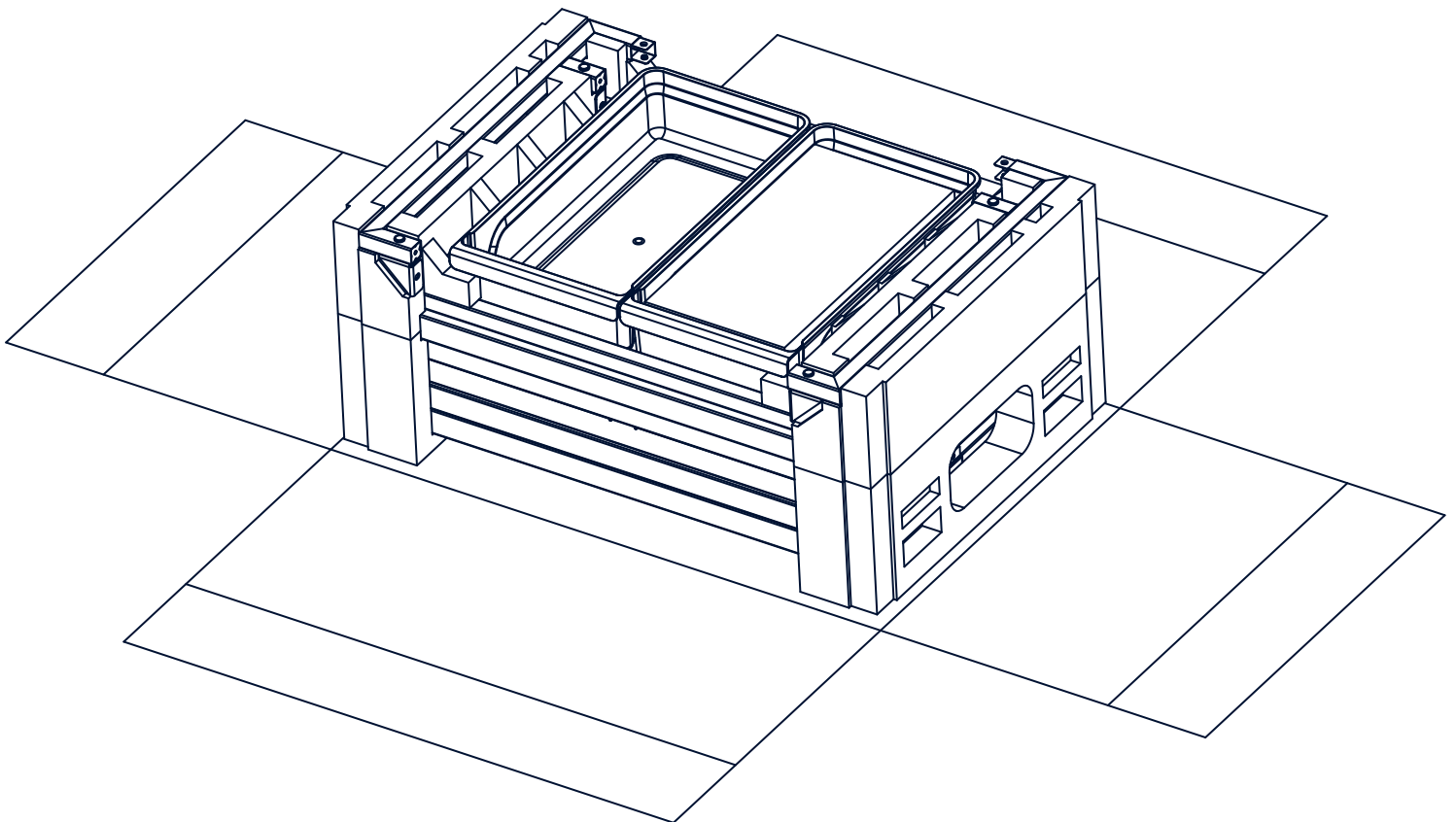
Key	Description	Picture	Qty
A	1/4"-20 UNC X1/2" SCREW		48
B	CASTER WRENCH		1

ASSEMBLY / ASSEMBLAGE

1



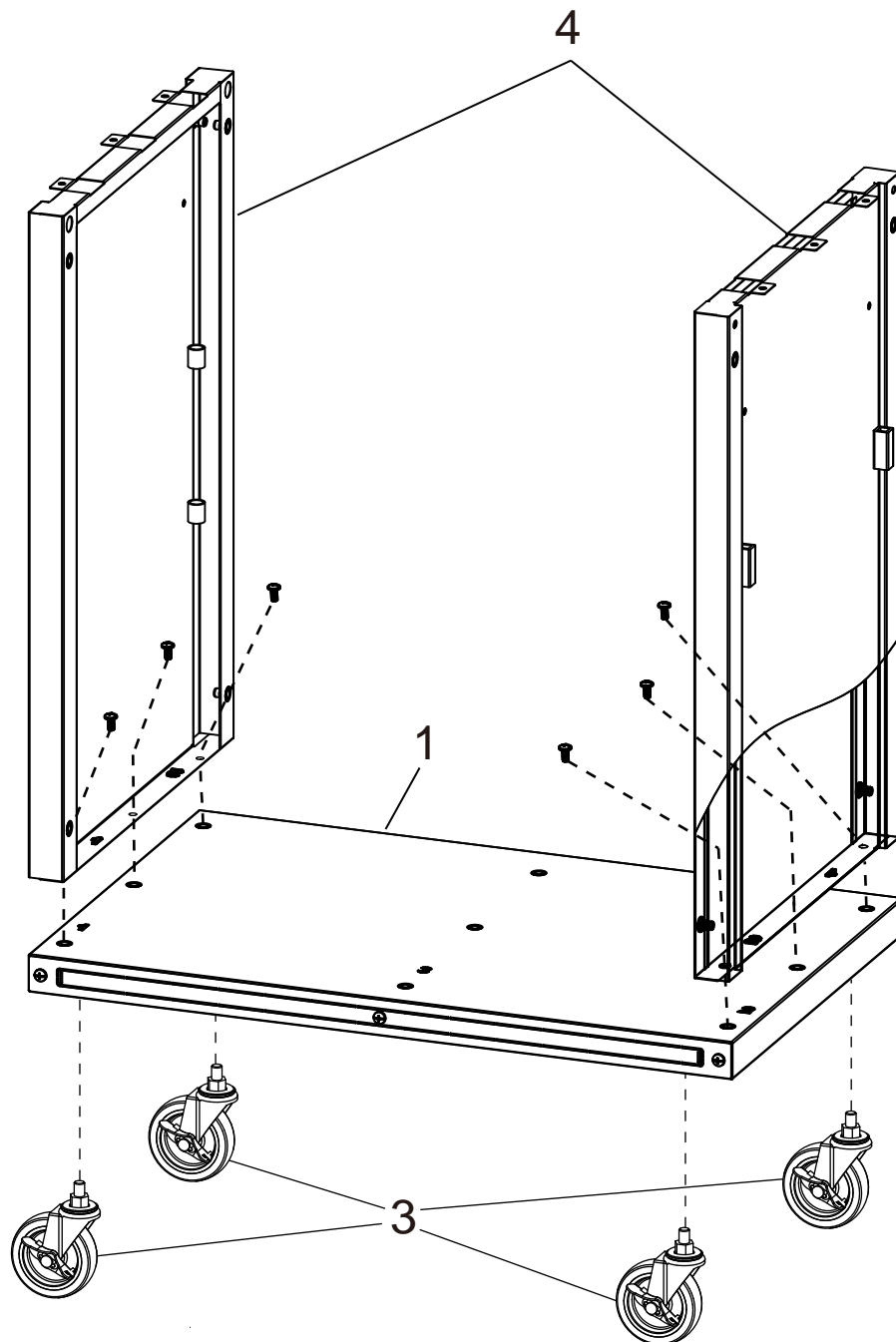
- Assemble your cart on a level, protective surface to prevent damage to the unit. The outer carton is ideal for this purpose. Place the carton top side up. Cut all 4 corners with a utility knife and allow the carton panels to lay flat, as shown.
- Ensamble la carro en una superficie nivelada y protectora para evitar daños a la unidad. El cartón exterior es ideal para este propósito. Coloque el cartón con la parte superior hacia arriba. Corte las 4 esquinas con un cuchillo y deje que los paneles de cartón queden planos, como se muestra.



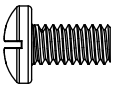
NOTE: Some parts shown in the assembly steps may differ slightly in appearance from those on your particular grill model. However, the method of assembly remains the same.

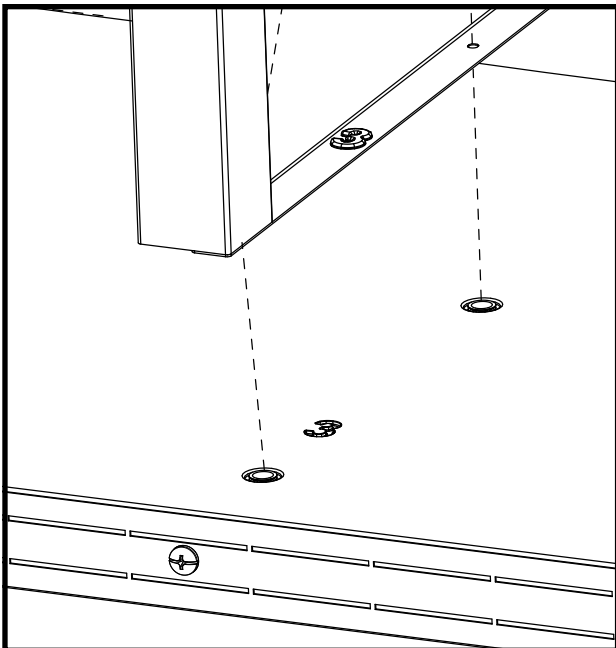
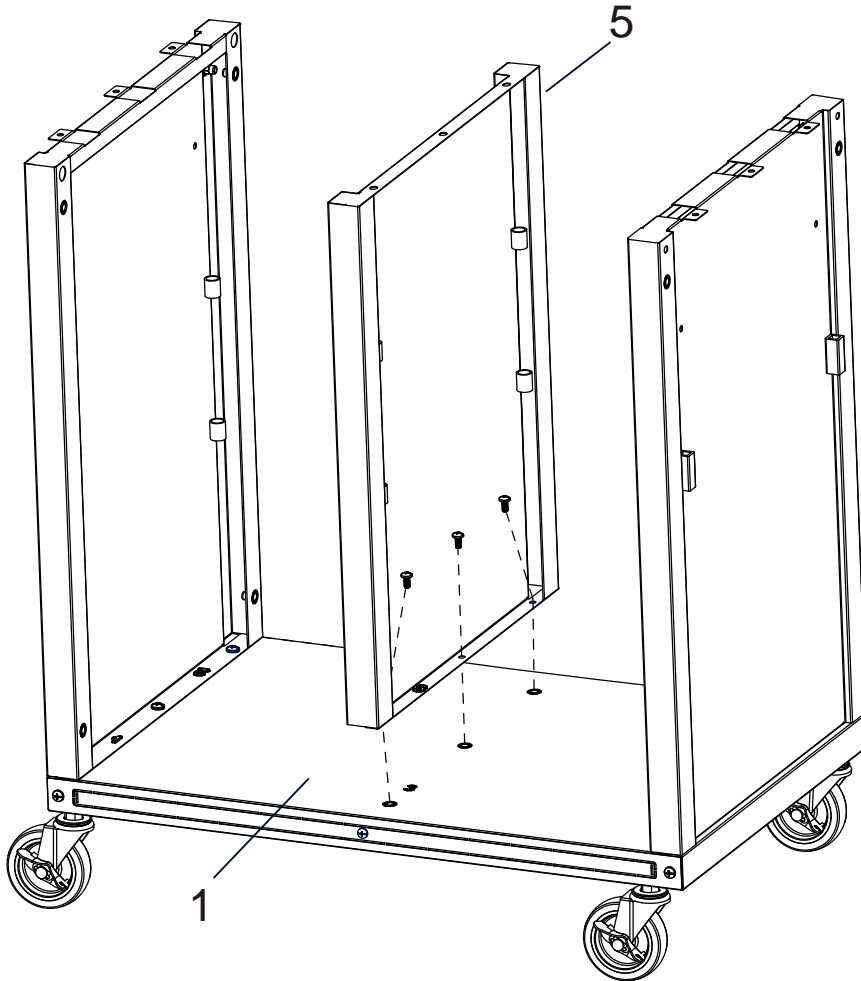
ASSEMBLY / ASSEMBLAGE

2



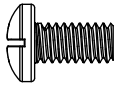
ASSEMBLY / ASSEMBLAGE

3  (A) x 3

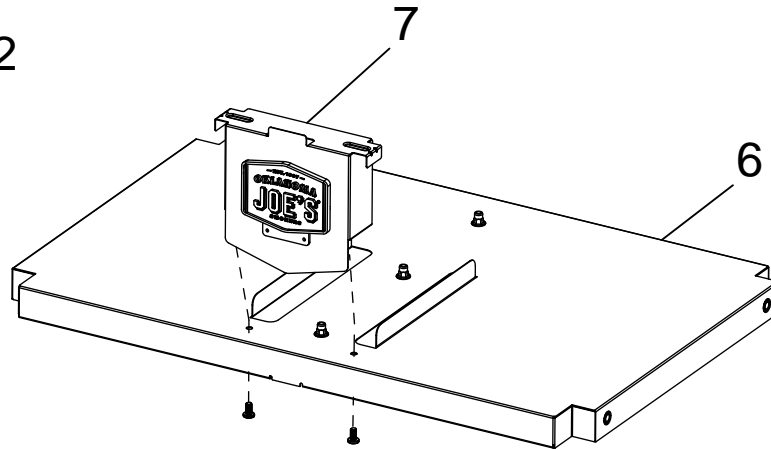


ASSEMBLY / ASSEMBLAGE

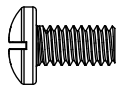
4



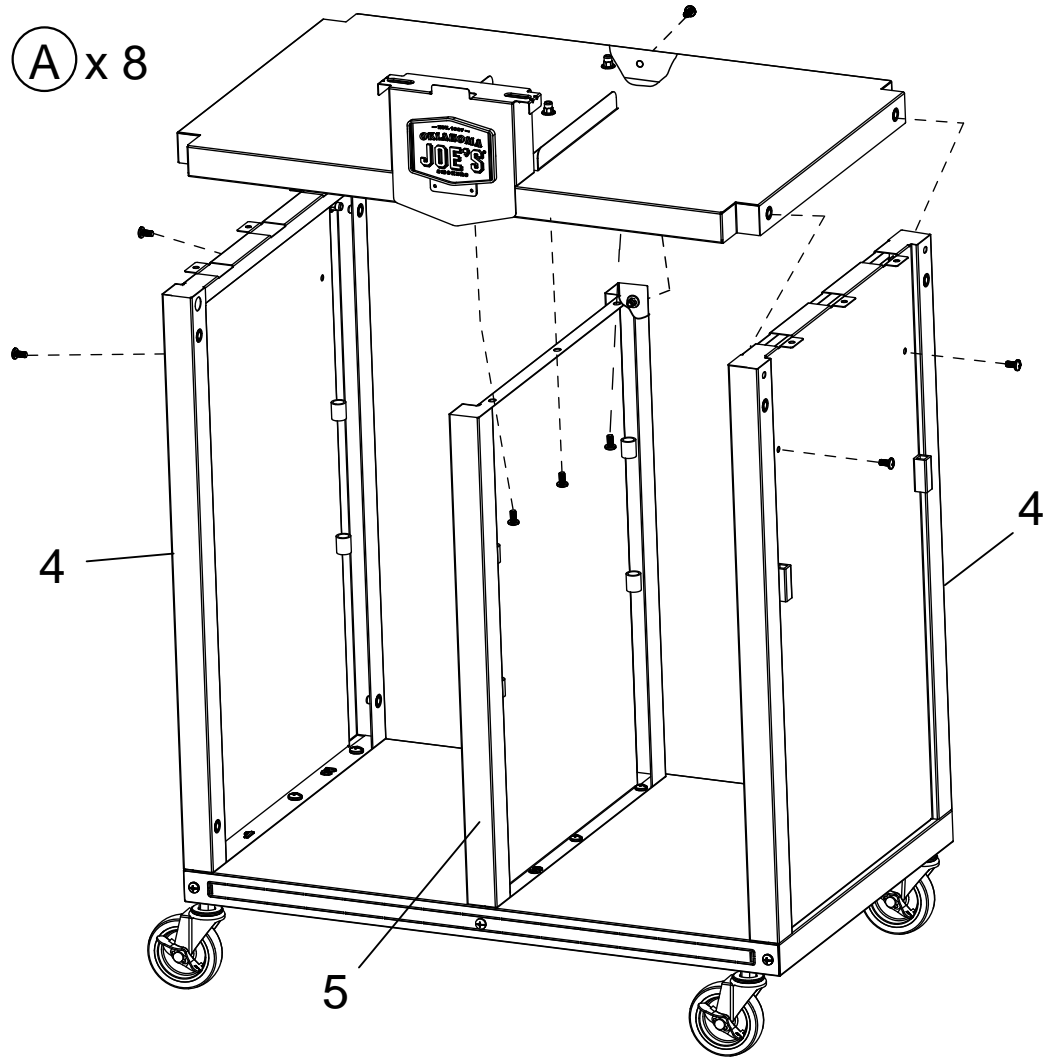
(A) x 2



5

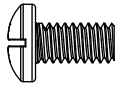


(A) x 8

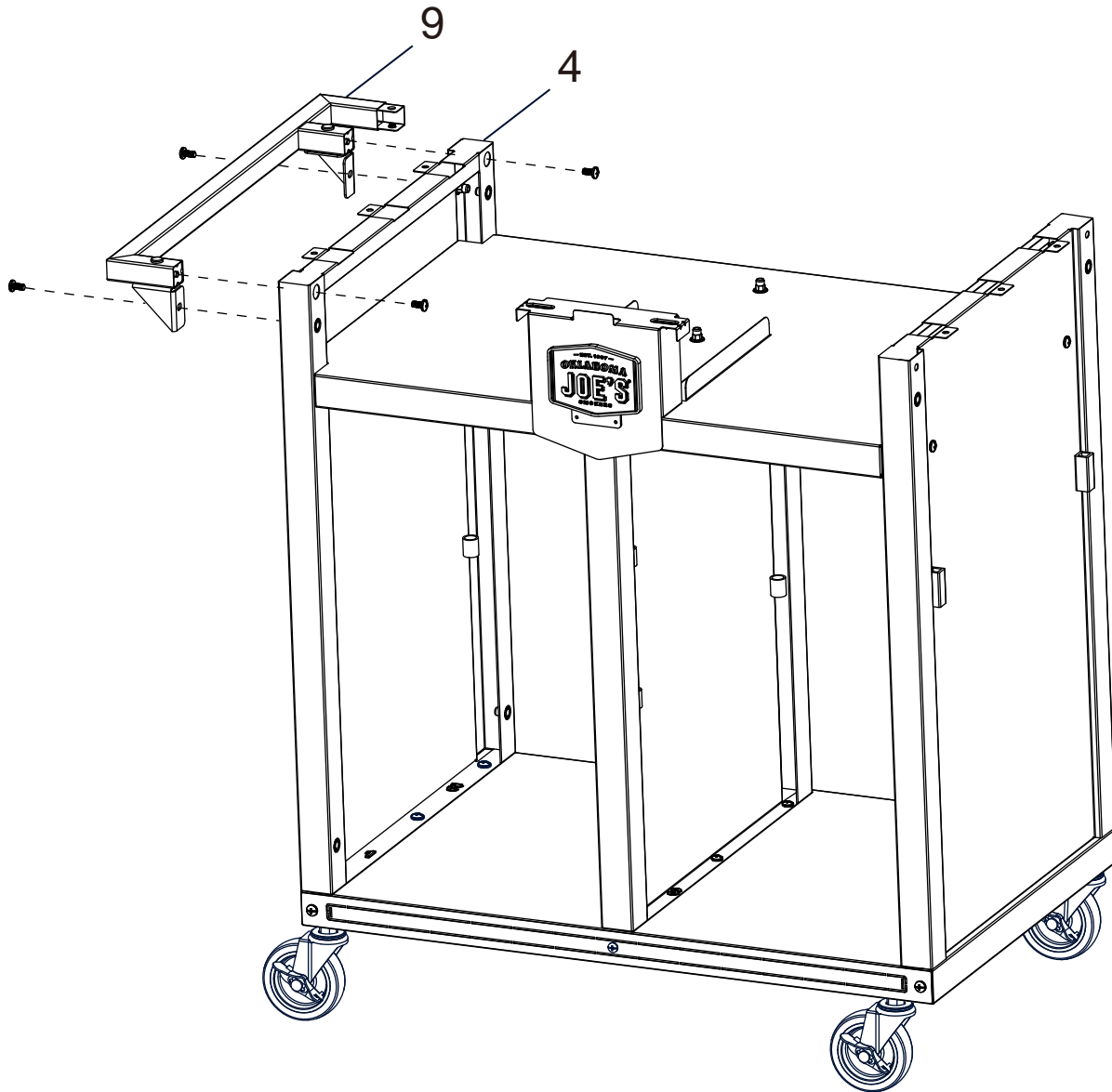


ASSEMBLY / ASSEMBLAGE

6

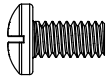


(A) x 4

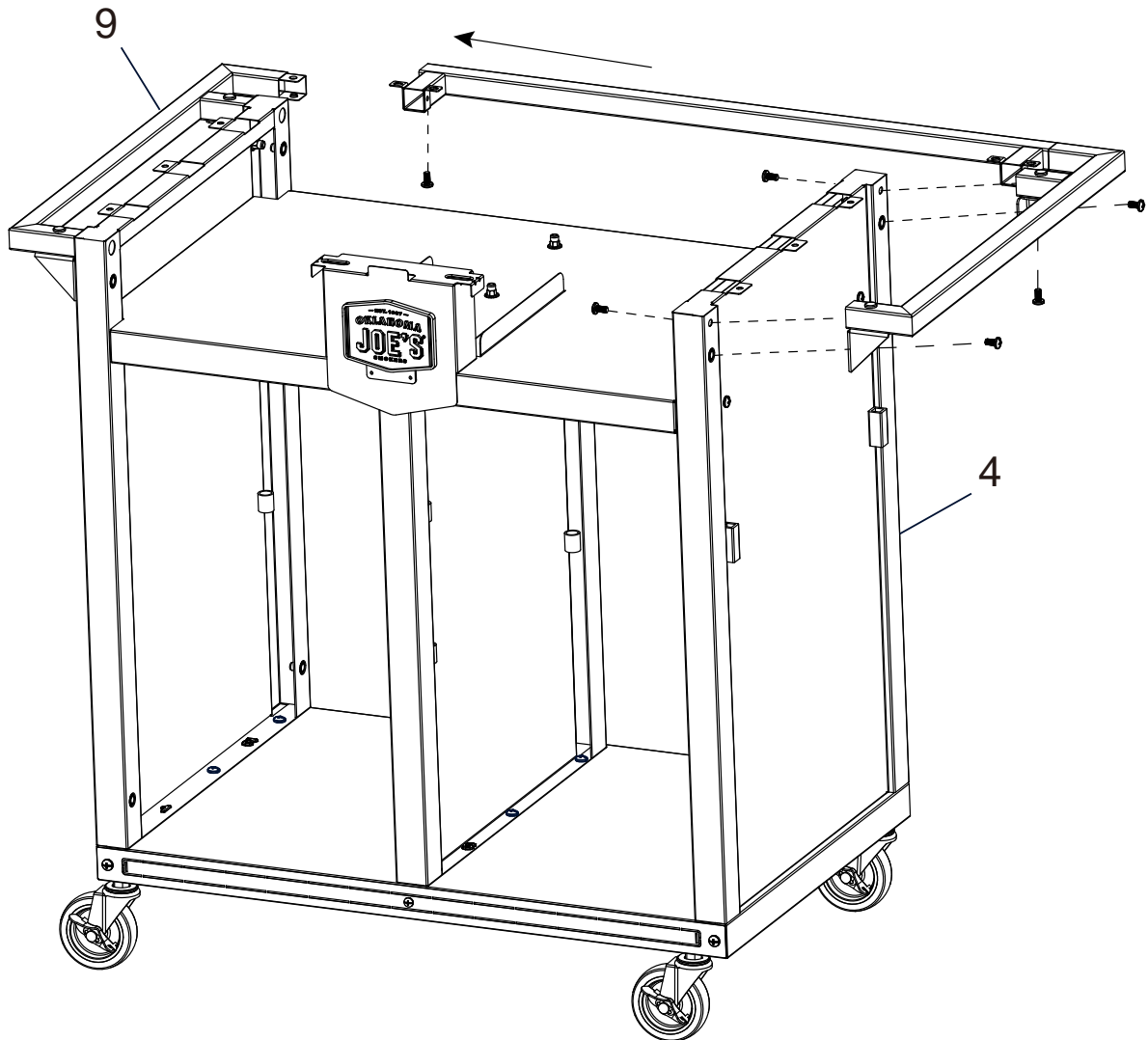
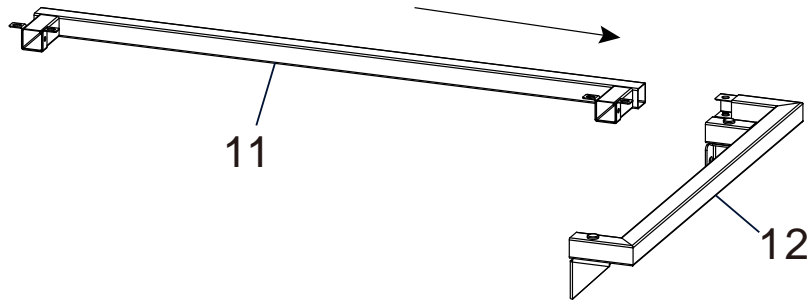


ASSEMBLY / ASSEMBLAGE

7

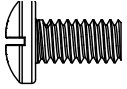


(A) x 6

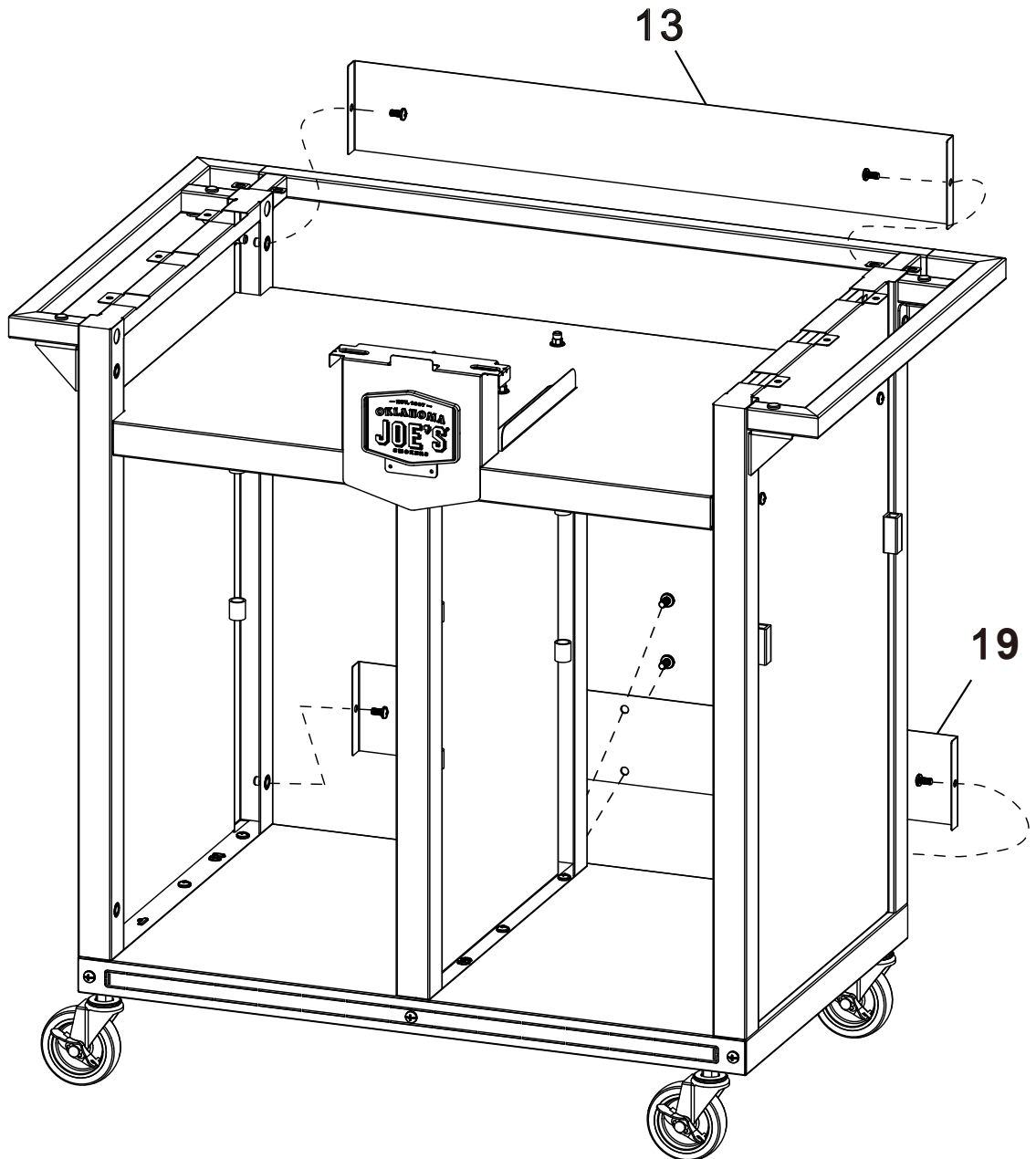


ASSEMBLY / ASSEMBLAGE

8

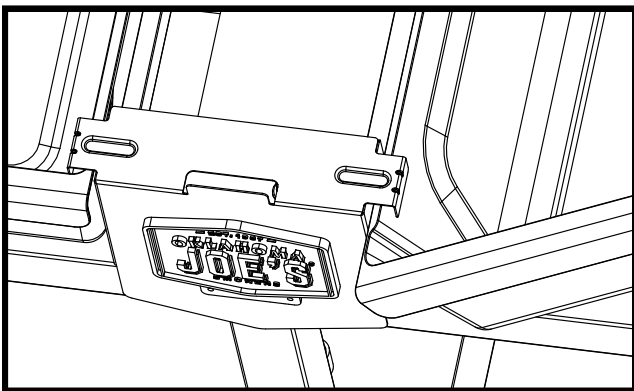


(A) x 6



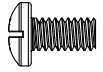
ASSEMBLY / ASSEMBLAGE

9

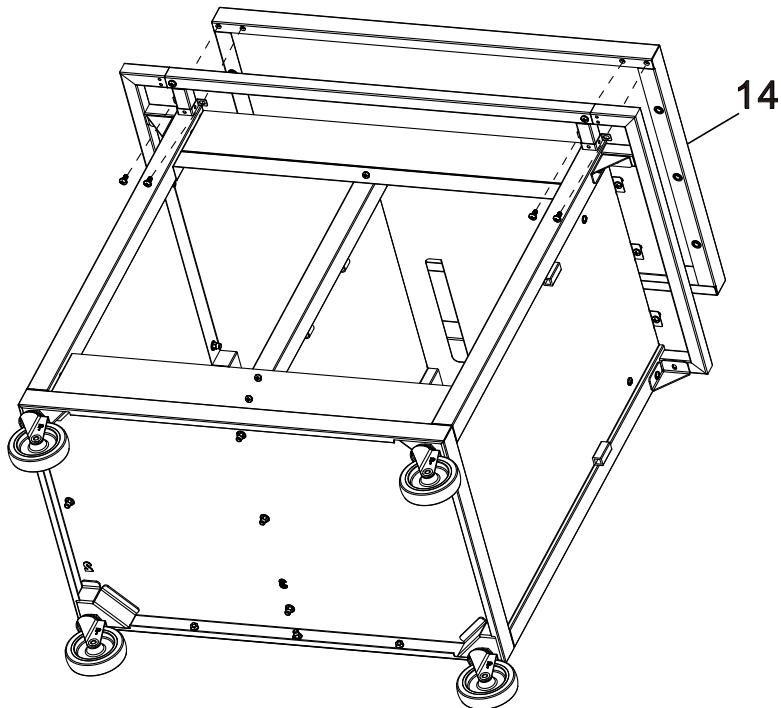
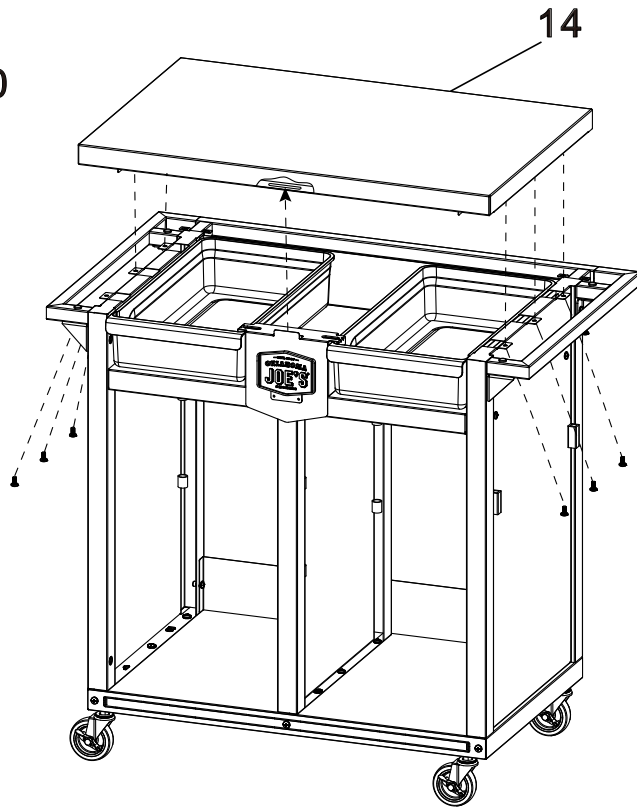


ASSEMBLY / ASSEMBLAGE

10



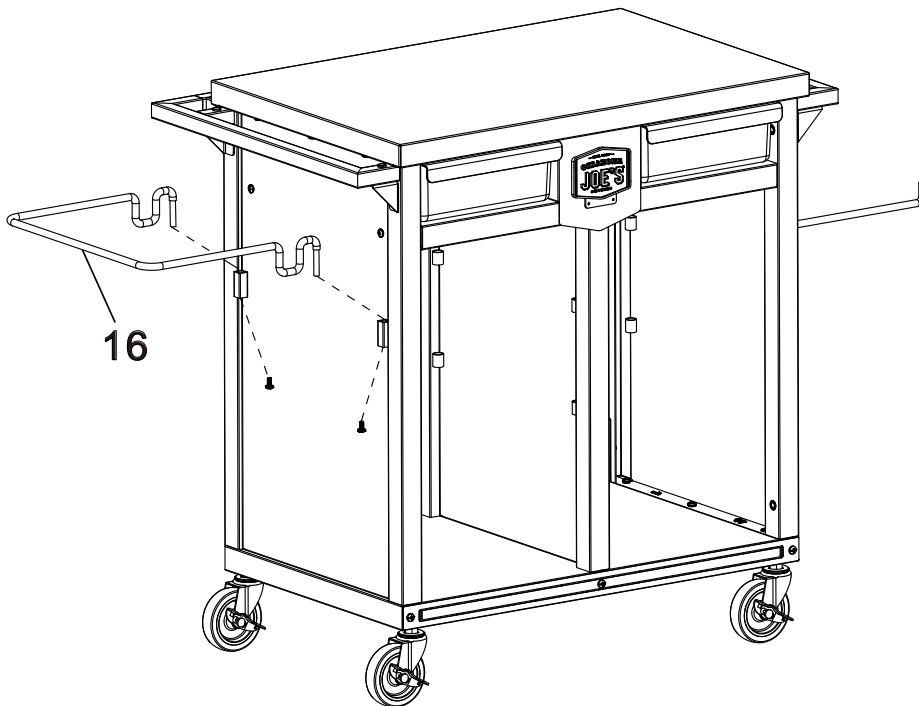
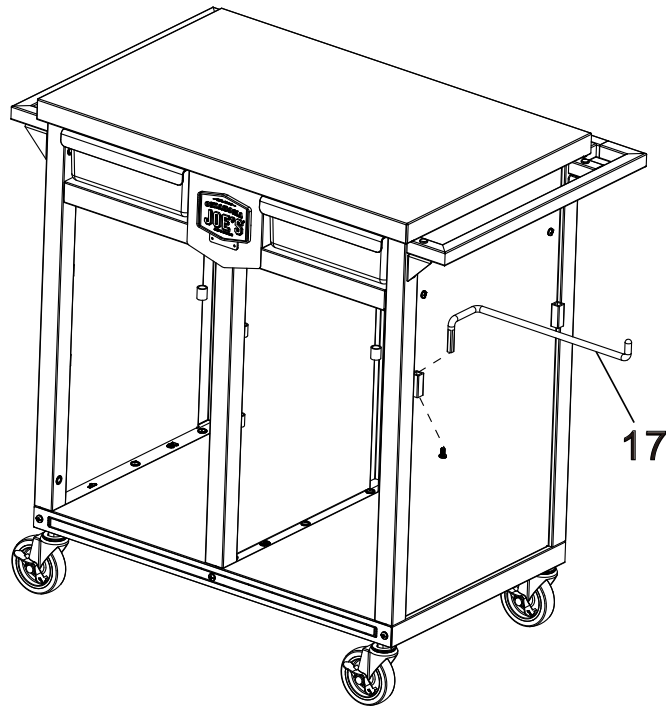
A x 10



ASSEMBLY / ASSEMBLAGE

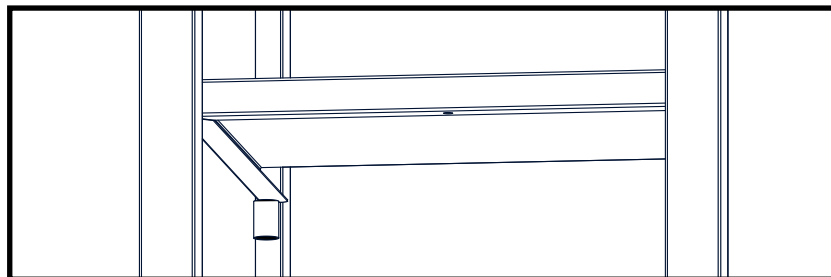
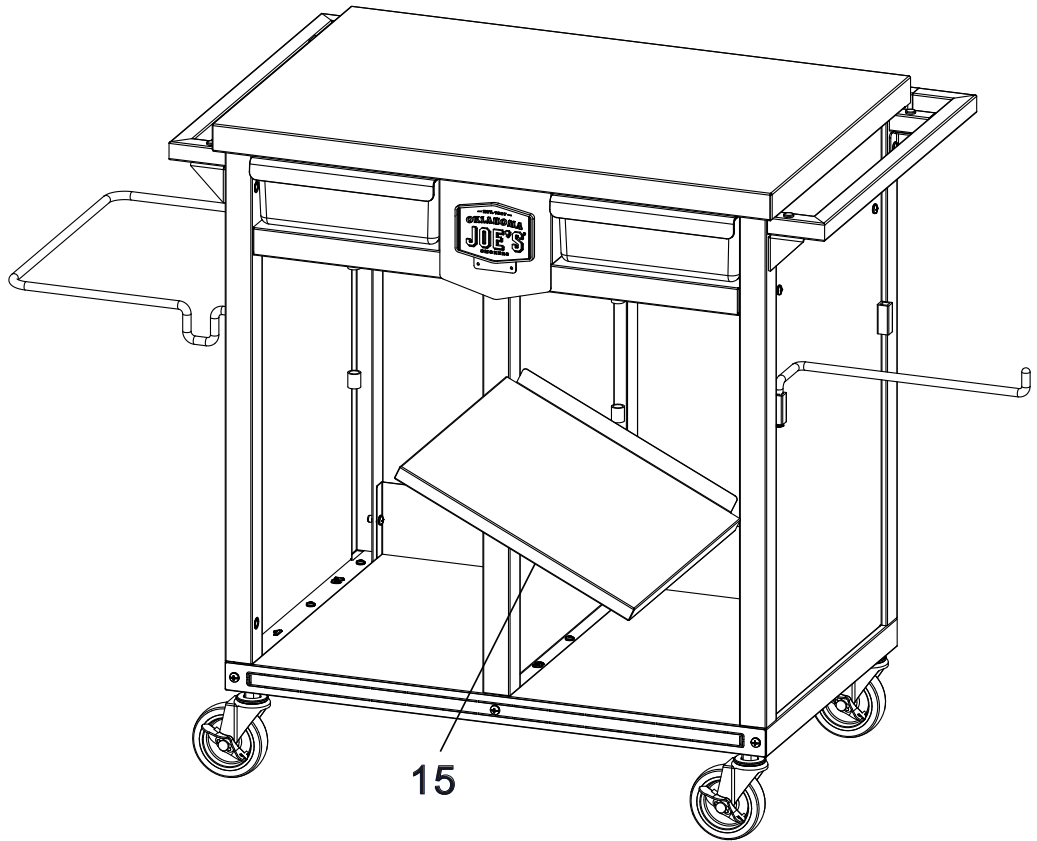
11

 (A) x 3



ASSEMBLY / ASSEMBLAGE

12



ASSEMBLY / ASSEMBLAGE



LIMITED WARRANTY

This warranty only applies to units purchased from an authorized retailer. Manufacturer warrants to the original consumer-purchaser only that this product shall be free from defects in workmanship and materials after correct assembly and under normal and reasonable home use for the periods indicated below beginning on the date of purchase*. The manufacturer reserves the right to require that defective parts be returned, postage and or freight pre-paid by the consumer for review and examination.

<u>SCOPE OF COVERAGE</u>	<u>PERIOD OF COVERAGE</u>	<u>TYPE OF FAILURE COVERAGE</u>
ALL PARTS	1 YEAR	PERFORATION, MANUFACTURING, AND MATERIAL DEFECTS ONLY

*Note: A dated sales receipt WILL be required for warranty service.

The original consumer-purchaser will be responsible for all shipping charges for parts replaced under the terms of this limited warranty.

This limited warranty is applicable in the United States and Canada only, is only available to the original owner of the product and is not transferable.

Manufacturer requires proof of your date of purchase. Therefore, you should retain your sales slip or invoice. Registering your product is not a substitute for proof of purchase and the manufacturer is not responsible for or required to retain proof of purchase records. This limited warranty applies to the functionality of the product ONLY and does not cover cosmetic issues such as scratches, dents, corrosions or discoloring by heat, abrasive and chemical cleaners or any tools used in the assembly or installation of the appliance, surface rust, or the discoloration of stainless steel surfaces. Paint is not warranted and will require touch up. RUST is not considered a manufacturing or materials defect.

This limited warranty will not reimburse you for the cost of any inconvenience, food, personal injury or property damage.

ITEMS MANUFACTURER WILL NOT PAY FOR:

1. Shipping cost, standard or expedited, for warranty and replacement parts.
2. Service calls to your home.
3. Repairs when your product is used for other than normal, single-family household or residential use.
4. Damage, failures, or operating difficulties resulting from accident, alteration, careless handling, misuse, abuse, fire, flood, acts of God, improper installation or maintenance, installation not in accordance with electrical or plumbing codes, or use of products not approved by the manufacturer.
5. Any food loss due to product failures or operating difficulties.
6. Replacement parts or repair labor costs for units operated outside the United States or Canada.
7. Pickup and delivery of your product.
8. Repairs to parts or systems resulting from unauthorized modifications made to the product.
9. The removal and/or reinstallation of your product.

DISCLAIMER OF IMPLIED WARRANTIES and LIMITATION OF REMEDIES

Repair or replacement of defective parts is your exclusive remedy under the terms of this limited warranty. In the event of parts availability issues, the manufacturer reserves the right to substitute like or similar parts that are equally functional. Manufacturer will not be responsible for any consequential or incidental damages arising from the breach of either this limited warranty or any applicable implied warranty, or for failure or damage resulting from acts of God, improper care and maintenance, grease fire, accident, alteration, replacement of parts by anyone other than Manufacturer, misuse, transportation, commercial use, abuse, hostile environments (inclement weather, acts of nature, animal tampering), improper installation or installation not in accordance with local codes or printed manufacturer instructions.

THIS LIMITED WARRANTY IS THE SOLE EXPRESS WARRANTY GIVEN BY THE MANUFACTURER. NO PRODUCT PERFORMANCE SPECIFICATION OR DESCRIPTION WHEREVER APPEARING IS WARRANTED BY MANUFACTURER EXCEPT TO THE EXTENT SET FORTH IN THIS LIMITED WARRANTY. ANY IMPLIED WARRANTY PROTECTION ARISING UNDER THE LAWS OF ANY STATE, INCLUDING IMPLIED WARRANTY OF MERCHANTABILITY OR FITNESS FOR A PARTICULAR PURPOSE OR USE, IS HEREBY LIMITED IN DURATION TO THE DURATION OF THIS LIMITED WARRANTY.

Neither dealers nor the retail establishment selling this product has any authority to make any additional warranties or to promise remedies in addition to or inconsistent with those stated above. Manufacturer's maximum liability, in any event, shall not exceed the purchase price of the product paid by the original consumer. NOTE: Some states do not allow an exclusion or limitation of incidental or consequential damages, so some of the above limitations or exclusions may not apply to you. This limited warranty gives you specific legal rights as set forth herein. You may also have other rights which vary from state to state. In the state of California only, if refinishing or replacement of the product is not commercially practicable, the retailer selling this product or the Manufacturer will refund the purchase price paid for the product, less the amount directly attributable to use by the original consumer-purchaser prior to discovery of the nonconformity. In addition, in the state of California only, you may take the product to the retail establishment selling this product in order to obtain performance under this limited warranty. If you wish to obtain performance of any obligation under this limited warranty, you should write to:

**Consumer Relations
P. O. Box 1240
Columbus, GA 31902-1240**

Consumer returns will not be accepted unless a valid Return Authorization is first acquired. Authorized returns are clearly marked on the outside of the package with an RA number and the package is shipped freight/postage pre-paid. Consumer returns that do not meet these standards will be refused.



GARANTÍA LIMITADA

Esta garantía solo se aplica a las unidades compradas en un minorista autorizado. El fabricante únicamente garantiza al comprador-consumidor original que este producto estará libre de defectos materiales y de materiales después de corregir el montaje y bajo uso doméstico normal y razonable durante los periodos indicados a continuación a partir de la fecha de la compra*. El fabricante se reserva el derecho de solicitar que las piezas defectuosas se devuelvan, con gastos de envío y/o el flete prepagados por el consumidor para su revisión y examen.

ALCANCE DE LA COBERTURA	PERIODO DE COBERTURA	COBERTURA POR TIPO DE FALLA
TODAS LAS PARTES	1 AÑO	SOLO DEFECTOS DE PERFORACIÓN, MANUFACTURA Y DEFECTOS MATERIALES

*Nota: SE requerirá un recibo de venta con la fecha para el mantenimiento de garantía.

El consumidor-comprador original será responsable de todos los gastos de envío de las piezas reemplazadas bajo los términos de esta garantía limitada.

Esta garantía limitada es aplicable solo en los Estados Unidos y Canadá, solo está disponible para el propietario original del producto y no es transferible. El fabricante requerirá una prueba de la fecha de compra. Por lo tanto, debe guardar su recibo o factura de venta. El registro de su producto no es un sustituto de la prueba de compra y el fabricante no es responsable ni está obligado a conservar los comprobantes de los registros de compra. Esta garantía limitada se aplica SOLAMENTE a la funcionalidad del producto y no cubre problemas cosméticos como rasguños, abolladuras, corrosión o decoloración por calor, productos químicos de limpieza abrasivos o cualquier herramienta utilizada en el montaje o instalación del aparato, óxido de superficie o la decoloración de las superficies de acero inoxidable. La pintura no está cubierta por la garantía y requerirá de retoques. El ÓXIDO no es considerado un defecto de fabricación o de materiales.

Esta garantía limitada no le reembolsará el costo por cualquier inconveniente, alimento, lesión personal o daño a la propiedad.

ELEMENTOS QUE EL FABRICANTE NO PAGARÁ:

1. Costo de envío, estándar o inmediato, para piezas bajo garantía o de repuesto.
2. Llamadas de mantenimiento a su hogar.
3. Reparaciones cuando su producto sea usado para usos distintos de los usos domésticos o residenciales normales.
4. Daños, fallas o dificultades operativas resultantes de un accidente, alteración, manejo descuidado, uso indebido, abuso, incendio, inundación, actos de Dios, instalación o mantenimiento inadecuado, instalación que no esté de acuerdo con los códigos eléctricos o de plomería, o uso de productos no aprobados por el fabricante.
5. Cualquier pérdida de alimentos debido a fallas del producto o dificultades operativas.
6. Costos por piezas de repuesto o mano de obra de reparación para unidades operadas fuera de los Estados Unidos o Canadá.
7. Recojo y entrega de su producto.
8. Reparaciones de piezas o sistemas como resultado de modificaciones no autorizadas realizadas al producto.
9. El retiro y/o la reinstalación de su producto.

EXENCIÓN DE RESPONSABILIDAD DE GARANTÍAS IMPLÍCITAS Y LIMITACIÓN DE RECURSOS

La reparación o el reemplazo de piezas defectuosas es su recurso exclusivo bajo los términos de esta garantía limitada. En caso de problemas de disponibilidad de piezas, el fabricante se reserva el derecho de sustituir las con piezas equivalentes o similares que sean igualmente funcionales. El fabricante no será responsable de ningún daño consecuente o incidental derivado del incumplimiento de esta garantía limitada o de cualquier garantía implícita aplicable, o por falla o daño resultante de actos de Dios, cuidado y mantenimiento incorrectos, incendio producido por grasa, accidente, alteración, reemplazo de piezas por cualquier persona que no sea el fabricante, mal uso, transporte, uso comercial, abuso, ambientes hostiles (clima inclemente, actos de la naturaleza, manipulación de animales), instalación incorrecta o instalación que no esté de acuerdo con los códigos locales o las instrucciones impresas del fabricante.

ESTA GARANTÍA LIMITADA ES LA ÚNICA GARANTÍA EXPRESA PROPORCIONADA POR EL FABRICANTE. NINGÚN DESEMPEÑO ESPECIFICACIÓN O DESCRIPCIÓN DEL PRODUCTO DONDE APAREZCA ES GARANTIZADO POR EL FABRICANTE, EXCEPTO EN LA MEDIDA ESTABLECIDA EN ESTA GARANTÍA LIMITADA. CUALQUIER PROTECCIÓN DE GARANTÍA IMPLÍCITA DERIVADA DE LAS LEYES DE CUALQUIER ESTADO, INCLUYENDO LA GARANTÍA IMPLÍCITA DE COMERCIABILIDAD O IDONEIDAD PARA UN PROPÓSITO O USO PARTICULAR, SE LIMITA POR LA PRESENTE A LA DURACIÓN DE ESTA GARANTÍA LIMITADA.

Ni los distribuidores ni el establecimiento minorista que venden este producto tienen autoridad alguna para otorgar garantías adicionales o para prometer soluciones adicionales o inconsistentes con las indicadas anteriormente. La responsabilidad máxima del fabricante, en cualquier caso, no excederá el precio de compra del producto pagado por el consumidor original. NOTA: Algunos estados no permiten una exclusión o limitación de daños incidentales o consecuentes, por lo que algunas de las limitaciones o exclusiones anteriores pueden no aplicarse a usted. Esta garantía limitada le otorga derechos legales específicos como se establece en este documento. También podría tener otros derechos que varían de un estado a otro. Solamente en el estado de California, si el reacondicionamiento o el reemplazo del producto no es comercialmente factible, el minorista que venda este producto o el fabricante reembolsará el precio de compra pagado por el producto, menos el monto directamente atribuible al uso por parte del consumidor comprador original antes del descubrimiento de la no conformidad. Además, solo en el estado de California, puede llevar el producto al establecimiento minorista que vende este producto para obtener el cumplimiento de esta garantía limitada. Si desea obtener el cumplimiento de cualquier obligación bajo esta garantía limitada, debe escribir a:

**Relaciones del consumidor
P. O. Box 1240
Columbus, GA 31902-1240**

Las devoluciones de los consumidores no serán aceptadas a menos que se obtenga primero una autorización de devolución válida. Las devoluciones autorizadas están claramente marcadas en el exterior del paquete con un número de RA y el paquete se envía con flete/franqueo prepago. Las devoluciones del consumidor que no cumplan con estos estándares serán rechazadas.

PRODUCT REGISTRATION / REGISTRACIÓN DEL PRODUCTO / ENREGISTREMENT DU PRODUIT

Two convenient ways to register your product:
Deux manières pratiques d'enregistrer votre produit:
Dos maneras convenientes de registrar su producto:

1 Online

En ligne
En línea

@ <https://www.oklahomajoes.com/product-registration/>

2 By Mail | Par la poste | Por correo

Please fill out this card and attached a copy of your sales receipt. Return it within 10 days of purchase for warranty service. Proof of purchase will be required. The warranty is not transferable.

Veillez remplir cette carte et joindre une copie de votre reçu de vente. Renvoyez-le dans les 10 jours de l'achat pour le service de garantie. Une preuve d'achat sera nécessaire. La garantie n'est pas transférable.

Por favor llene esta tarjeta y adjunte una copia de su recibo de compra. Devuelva en el plazo de 10 días de la compra para el servicio de la garantía. Se requerirá prueba de compra. La garantía no es transferible.

*Required | Obligatoire | Necesario

**Please Print | Veuillez imprimer | Por favor imprima

*1. First Name Prénom Nombre	Initial Initiale Inicial	Last Name Nom de famille Apellido
Address Adresse Dirección		Apt. No No d'appt No de appart
City Ville Ciudad	State Etat Estado	Zip Code Code post Código post
*2. E-mail Address Adresse e-mail Dirección de correo electrónico		
*3. Phone Number Numéro de téléphone Número de Teléfono		
*4. Model Number Numéro de modèle Número de modelo		
Serial Number Numéro de série Número de serie		
6. Date of Purchase Date d'achat Fecha de compra		
7. Store Name Nom du magasin Nombre de la tienda		
8. Purchase Price Prix d'achat Precio de compra		

*5. Attach copy of your sales receipt here.
Joignez une copie de votre reçu de vente ici.
Adjunte una copia de su recibo de venta aquí.

Mail to: | Envoyer à: | Correo a:
Oklahoma Joe's Warranty Registration
P.O. Box 1240
Columbus, Ga 31902-1240

We respect your privacy | Nous respectons votre vie privée | Respetamos su privacidad If you prefer not to receive special offers and promotions from Char-Broil, please check here:
Si vous préférez recevoir des offres et promotions spéciales de Char-Broil, veuillez vérifier ici:
Si estás buscando un lugar para alojarse en Char-Broil, compruebe aquí.

Thank you for completing this questionnaire | Merci d'avoir rempli ce questionnaire. | Gracias por completar este cuestionario





WORTH *the* WHILE

So, how did it go?

Share your awesome cooking experience with everyone! We are live on all the social media sites! Join the community!

Entonces, ¿cómo te fue?

¡Comparte tu increíble experiencia culinaria con todos! ¡Estamos en vivo en las redes sociales! ¡Únete a la comunidad!

Alors, comment ça s'est passé?

Partagez votre expérience culinaire avec tout le monde! Nous sommes en direct sur tous les sites de médias sociaux! Rejoignez la communauté!



©2023 Char-Broil, LLC. Columbus, GA, 31904.

Printed in China. Imprimé en China. Impreso en China.

The product associated with this guide was manufactured in China.

Tel producto asociado con esta guía ha sido fabricado en China.

Le produit associé à ce guide a été fabriqué en Chine.

